



S110 HIGH ENERGY SCREENER

Perfecting sand and aggregate screening, McCloskey's S110 is the newest model in the S Series Screener Range. The S110 features brand new innovative angled screen decks which give screening angles from minimum 20-degrees to maximum 37-degrees.

Rely on this model and all McCloskey screeners for high productivity and efficient operation. In particular this model features an adaptable design with dual power operation.



DUAL POWER

FEATURES

- ✓ 12x5 heavy duty high energy 2 bearing screenbox
- ✓ 100kW (134HP) Cat 3.6 diesel engine
- ✓ Track or wheel mobile
- ✓ Integrated hydraulic holding stockpiling conveyors
- ✓ Remote control tipping grid
- ✓ Fast on site setup time – 10 minutes

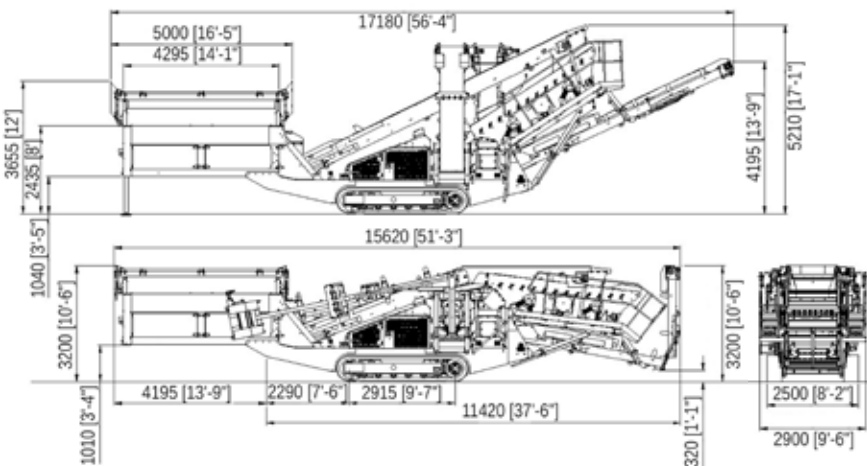


LEVEL UP WITH THE S110

Taking our screeners to the next level with enhancements throughout, the S110 expands material processing applications with an additional bottom deck angle. The hydraulic controls are simple, and the new hydraulic system uses less oil which reduces heat and saves energy.

The S110's tipping grid and tracks can be safely operated via radio remote. 365SiteConnex telematics system allows off-site monitoring of machine performance and productivity.

Key on all McCloskey screeners is the option to work with dual power, boosting your operational fuel efficiency and reducing costs.



TECH SPECS

Engine	C3.6 (Tier 3, Tier 4 Final/STAGE V)
Stockpile Height	
Tail Conveyor	4195mm (13' 9")
Side Conveyor	4630mm (15' 2")
Screenbox	
Top Deck	3660mm x 1525mm (12' x 5')
Bottom Deck	3050mm x 1525mm (10' x 5')

TRANSPORT

Transport Length	15.62m (51' 3") est.
Transport Width	2.90m (9' 6")
Transport Height	
2 Deck	3.20m (10' 6")
Weight	
2 Deck	21,300 Kgs (46,958 lbs)

OPTIONS

- 2 deck live head
- Radio remote control
- Single shaft shredder
- 365 SiteConnex Telematics