



# J45 JAW CRUSHER

The McCloskey® J45 high capacity Jaw Crushers feature a true 1140mm (45") x 688mm (27") jaw. With both level and load sensors the J45 ensures the most efficient material handling across applications.

Rugged and versatile, the J45 offers the field-tested reliability required for the toughest projects around the globe.

## FEATURES

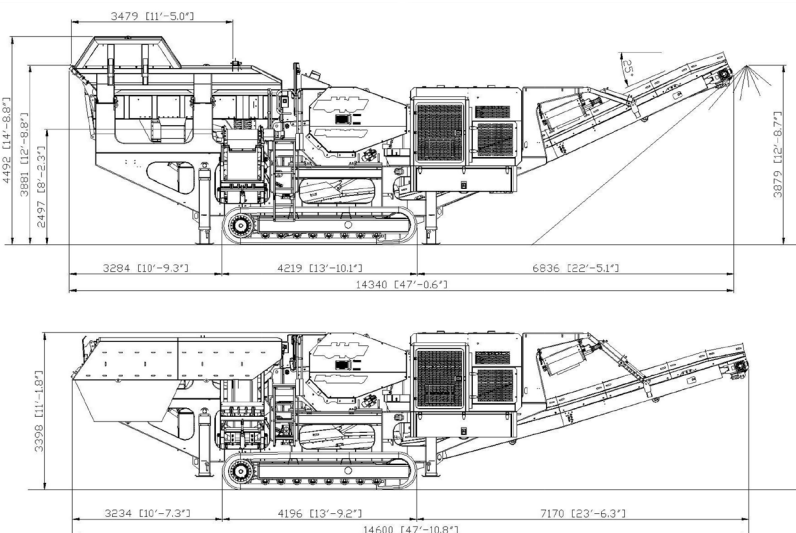
- ✓ 1140mm (45") x 688mm (27") single toggle jaw
- ✓ Track or Track clw Wheel bogie
- ✓ Integrated hydraulic folding hopper
- ✓ Integrated hydraulic folding stockpiling conveyors
- ✓ Optional Pre-Screen and Pan Feeder
- ✓ Large gap between crusher discharge and main conveyor feedboot
- ✓ Open chassis design for ease of maintenance
- ✓ Fast setup time

## J45 TECH SPECS



Optimized for Type 1 crushing applications, the J45 features a heavy-duty bofor design and transfer chutes with steeper angles to reduce material sticking.

The J45 boasts a high capacity hopper with close to 6m<sup>3</sup> (8yd<sup>3</sup>) capacity mounted over a vibrating feeder. The main conveyor features easy access heavy-duty skirting and is closer to the ground level for ease of access and maintenance.



<b>Engine</b>	261kW (350Hp)
<b>Feed Opening</b> (Peak to Trough)	1140mm x 688mm (45" x 27")
<b>Grizzly Feeder</b>	
Width	1064mm (41.9")
Length	4240mm (13' - 11")
<b>Prescreen Feeder (Option)</b>	1.06m x 1.92m (41.9" x 75.5")
<b>Stockpile Height</b>	
Main Conveyor	3.88m (12' 8.7")
Side Conveyor	2.50m (8' 2.3")

## TRANSPORT

Transport Height	3.40m (11' 1.8")
Transport Length	14.6m (47' 10.8")
Transport Width	2.50m (8' 2.5")
Weight	43,900kg
Incl. Magnet & Dirt Conveyor	(96,783 lbs)

## OPTIONS

50mm or 70mm Aperture Bofor | Main Conveyor Variable Speed Control | Hopper Extensions | Overband Magnet | Water Pump and Dust Suppression System | Diesel Refueling Pump | Square Tooth Quarry Dies | 30mm Corrugated Dies | 50mm Corrugated Dies | Multitooth Dies | Crusher Deflector Plate | Separate Pre-screen and Pan Feeder