

# WEAR PART FASTENING KITS FOR JAW CRUSHERS

## QUICK AND SAFE WEAR PART REPLACEMENTS USING OEM PARTS

McCloskey wear part fastening kits for J35, J40v2, J45 & J50v2 jaw crushers are here to help you to service your jaw when replacing wear parts.

Kits include all needed fasteners and accessories for jaw die fastening to ensure quick and safe replacements.

Contact your closest McCloskey Parts Representative for pricing and availability!

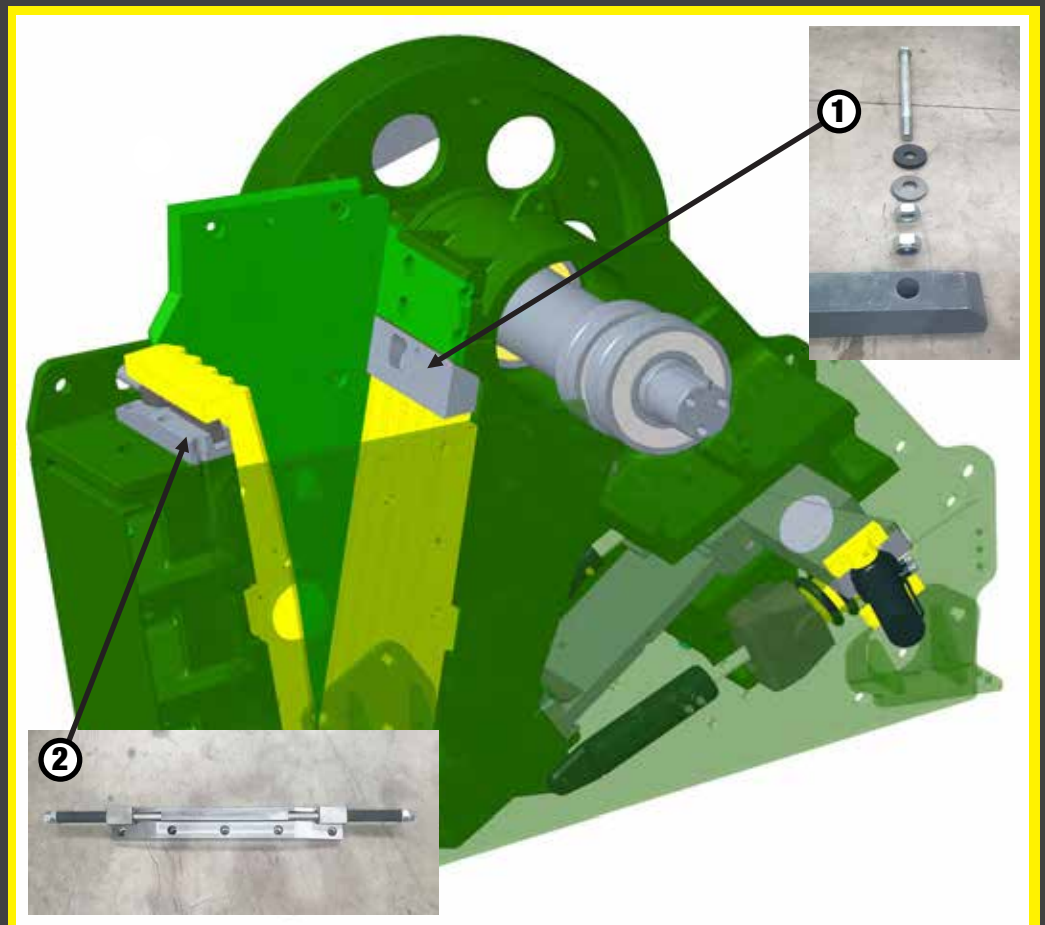


### 1. Swing Jaw Fastening Kit

- Jaw Die Clamp (extra item)
- Bolts
- Disc Springs
- Nuts
- Washers

### 2. Fixed Jaw Fastening Kit

- Locking parts (slide, rod, tubes & wedges)
- Nuts
- Washers



## SWING JAW FASTENING KITS

J35			J40v2		
<b>527-007-031</b>	Clamp Plain Type	1	<b>504-015-021</b>	Clamp Plain Type	1
<b>M39X600HTB</b>	M39x600 Bolt	2	<b>M48X700HTB</b>	M48x700 Bolt	2
<b>NYL39</b>	M39 Nyloc	2	<b>NYL48</b>	M48 Nyloc	2
<b>HEX39</b>	M39 Plain nut	2	<b>HEX48</b>	M48 Plain nut	2
<b>525-007-048</b>	M39 Washer	2	<b>551-015-014</b>	M48 Washer	2
<b>550-003-038</b>	Disc Spring	8	<b>551-015-028</b>	Disc Spring	8
J45			J50v2		
<b>551-015-021</b>	Clamp Plain Type	1	<b>501-023-021</b>	Clamp Plain Type	1
<b>M48X750HTB</b>	M48x750 Bolt	2	<b>M48X800HTB</b>	M48x800 HT Bolt 8.8	3
<b>NYL48</b>	M48 Nyloc	2	<b>NYL48</b>	M48 Nyloc	3
<b>HEX48</b>	M48 Plain nut	2	<b>HEX48</b>	M48 Plain nut	3
<b>551-015-014</b>	M48 Washer	2	<b>551-015-014</b>	M48 Washer	3
<b>551-015-028</b>	Disc Spring	8	<b>551-015-028</b>	Disc Spring	12

## FIXED JAW FASTENING KITS

J35			J40v2		
<b>525-007-020</b>	Locking Slide	1	<b>551-015-007</b>	Locking Slide	1
<b>525-007-021</b>	Locking Rod	1	<b>504-015-005</b>	Locking Rod	1
<b>504-015-006</b>	Locking Tube	2	<b>504-015-006</b>	Locking Tube	2
<b>551-015-004</b>	Locking Wedge	2	<b>551-015-004</b>	Locking Wedge	2
<b>M30W</b>	M30 Washer	2	<b>M30W</b>	M30 Washer	2
<b>HEXM30</b>	M30 HEX Nut	4	<b>HEXM30</b>	M30 HEX Nut	4
<b>551-035-075</b>	Wedge Cover	2			
J45			J50v2		
<b>551-015-007</b>	Locking Slide	1	<b>501-023-018</b>	Locking Slide	1
<b>551-015-005</b>	Locking Rod	1	<b>501-023-070</b>	Locking Rod	1
<b>551-015-006</b>	Locking Tube	2	<b>504-015-006</b>	Locking Tube	2
<b>551-015-004</b>	Locking Wedge	2	<b>551-015-004</b>	Locking Wedge	2
<b>M30W</b>	M30 Washer	2	<b>M30W</b>	M30 Washer	2
<b>HEXM30</b>	M30 HEX Nut	4	<b>HEXM30</b>	M30 HEX Nut	4

## EXTENSIVE TECHNICAL SERVICE & SUPPORT

McCloskey's Dealer Network ensures that customers are supported by factory trained field service technicians for After Sales Support. Extensive training is crucial to the proper maintenance of equipment. McCloskey's trained service technicians familiarize the operators handling the equipment to ensure customers receive as much use and value out of their purchase.

After Sales Support begins the day you purchase your McCloskey equipment and through the product's life cycle. Breakdowns mean downtime. All machines break down at some point. The support and service offered in response is what makes McCloskey a trusted partner - from commissioning to consignment.

Our McCloskey Dealer Network can also provide information and services in the following areas:

- ▶ Application of the Equipment
- ▶ Predictive and Preventative Maintenance Practices
- ▶ Common Repair and Maintenance Solutions
- ▶ Troubleshooting
- ▶ Repairs

To find your closest supporting Dealers, please refer to our website: <https://mccloskeyinternational.com/>

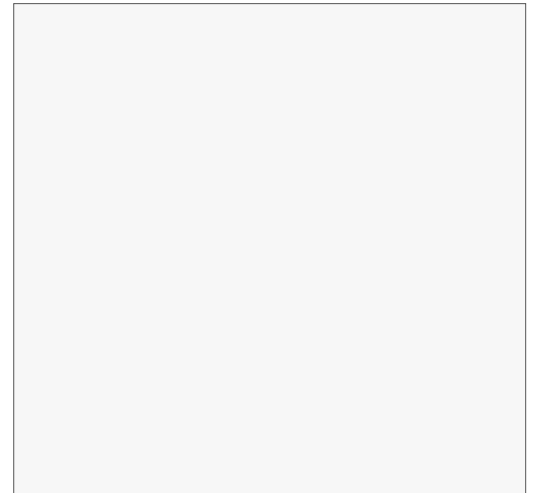
## CONTACT YOUR McCLOSKEY DEALER

We encourage all of our customers to take advantage of our McCloskey Dealer Network expertise for after sales support.

To serve you better please provide:

- ▶ Contact Information
- ▶ McCloskey Serial Number
- ▶ Description of Issue

## AUTHORIZED DEALER



## CONTACT McCLOSKEY

### CANADA

1 McCloskey Rd. Keene, Ontario,  
K9J 0G6, Canada

1-705-295-6651  
[partscdn@mccloskeyinternational.com](mailto:partscdn@mccloskeyinternational.com)

### UNITED KINGDOM

Unit 2, 70 Derry Rd. Coalisland, Co. Tyrone,  
N. Ireland, BT71 4NT

+44 (0) 28 8774 0926  
[partsUK@mccloskeyinternational.co.uk](mailto:partsUK@mccloskeyinternational.co.uk)

### UNITED STATES

2031 S. Aldrich St. Building A  
Milwaukee, WI 53207

1-414-509-7331  
[partsmilwaukee@mccloskeyinternational.com](mailto:partsmilwaukee@mccloskeyinternational.com)