



# ST100TVR STACKER

The McCloskey® ST Tracked Stackers are all about efficiency, from their speedy setup time to a high degree of mobility, downtime is minimized while throughput and stockpile capacity are maximized.

The ST100TVR reaches new heights in sustainability, efficiency and fuel savings with its dual power and lift axle option, allowing it to switch from track mode to radial mode in seconds.

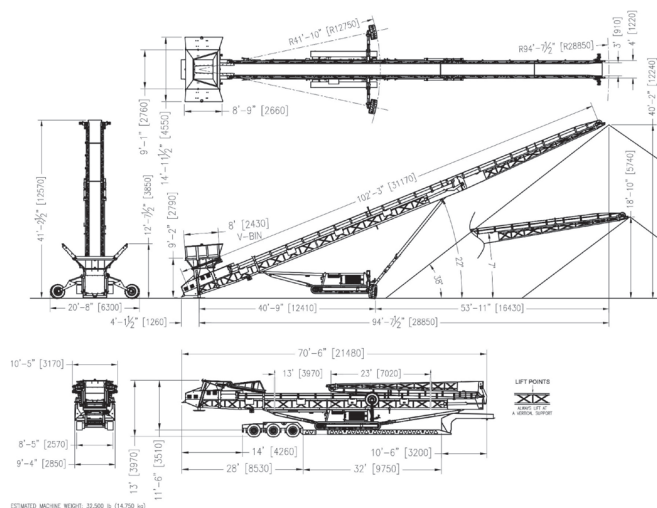
## FEATURES

- ✓ 900mm (36") wide heavy duty 30.48m (100') long conveyor
- ✓ 74 kW (55Hp) engine
- ✓ On-site track mobility
- ✓ Direct feed hopper
- ✓ Hydraulic folding frame for easy transport
- ✓ Fast on-site setup time
- ✓ Adjustable hopper height to optimize operational efficiency



Hydraulic main lift and top fold are standard on the ST100TVR, as is the diesel power unit. Dual power is available to reduce operational costs and allow for remote location use, no matter what application. The 22.5 degree maximum conveyor angle allows for the highest stockpiles per conveyor length in the industry.

With its durable truss frame, large V-Bin hopper and base production capacity of 500 TPH with optional upgrades to 800 TPH, the McCloskey ST100TVR stands well above the competition.



## ST100TVR TECH SPECS

<b>Engine</b>	74.5kW (100 Hp)
<b>Belt Length</b>	30.48m (100')
<b>Belt Width</b>	900mm (36")
<b>Stockpile Height</b>	12.4m (40' 7")
<b>Stockpile Capacity</b>	3490m <sup>3</sup> (4565 yd <sup>3</sup> )

## TRANSPORT

<b>Transport Length</b>	21.48m (70' 6")
<b>Transport Height</b>	3.60m (10' 5")
<b>Transport Width</b>	3.17m (10' 5")

## OPTIONS

Chevron Belt | ASGCO Scraper | Hopper Wear Plate Liner | Paddle Wheel



DUAL POWER